



eSIGNO 2.0

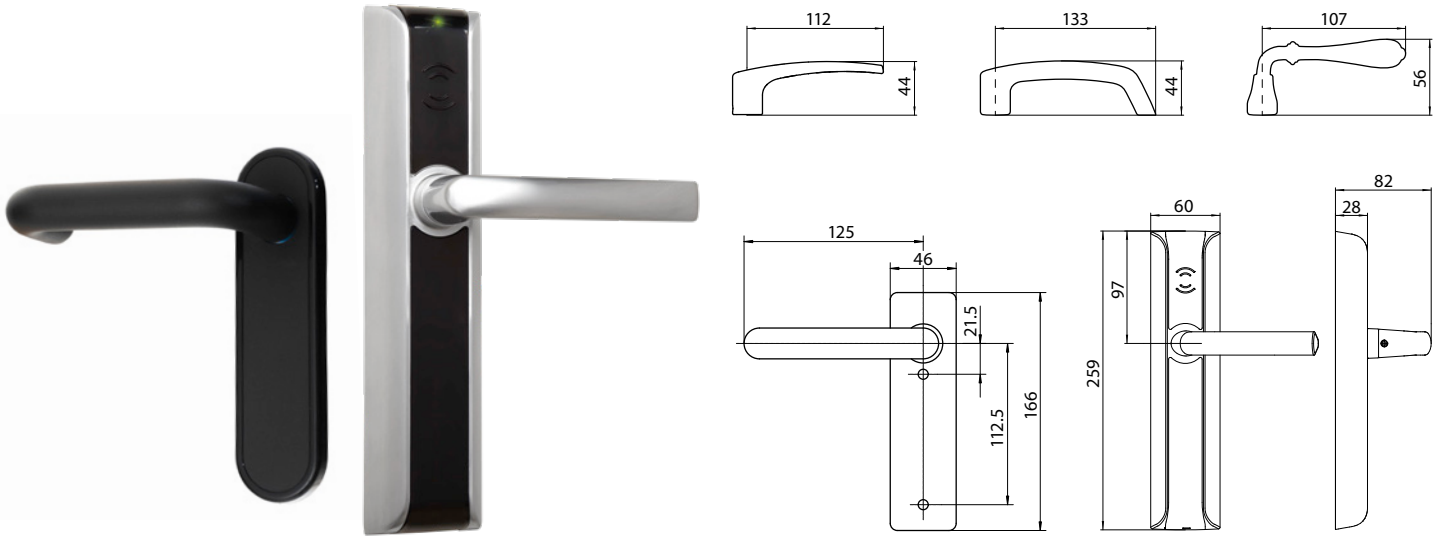
Contactless lock

**Version for installation
on metal and fire doors**

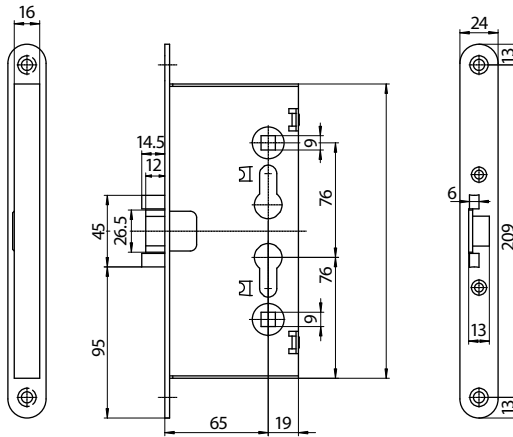
Technical sheet



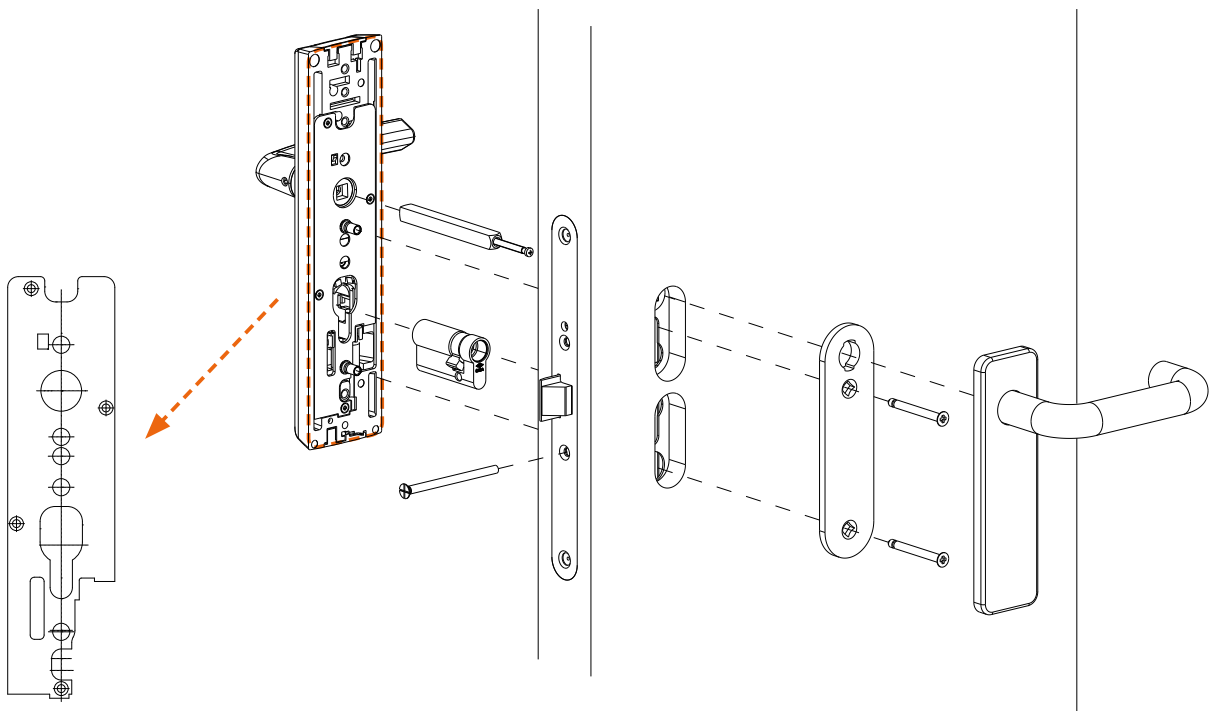
Handle plate



e.g. CISA 1431XX lock series



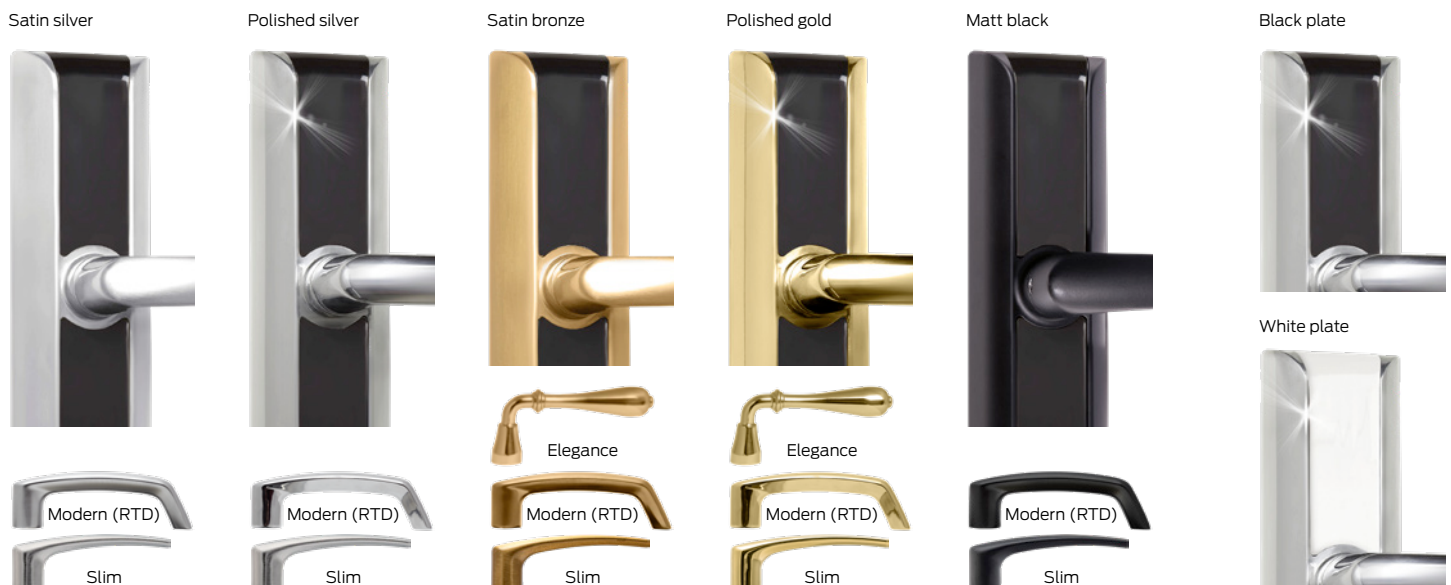
Installation



Technical features

| | |
|-------------------------------|--|
| Intended use | Standalone battery powered contactless electronic access control for installation on doors in buildings. |
| Form factor | Reader and battery holder integrated into the external plate. Only 2 screws needed for installation. |
| Credentials | Contactless RFID ISO 14443B/Mifare ISO 14443A technology. Lock wake-up function activated by card from max 2 cm. Bluetooth technology to open door using Android and iOS smartphones. |
| Operating temperature | From -10°C to 70°C (with specific batteries). |
| Data encryption | 3DES-AES encryption. PKI system for mobile credentials. |
| Audit trail | Previous 500 events. |
| Emergency override | Mechanical emergency opening: with internal handle plate item 107076160 in combination with cylinder item 108453xx x xx or thumb turn cylinder item 10G300xx x xx; alternatively with internal handle plate item 107076150 in combination with single cylinder item 10G304xx x xx. |
| Wireless | Bluetooth 5 technology. |
| Flashing signals | Multicolour LED on external plate for battery level, privacy status and service messages. |
| Battery | 3 x 1.5V AAA alkaline. |
| Battery life | Up to 6 years.* * Depending on actual conditions of use. Tested in compliance with BHMA A156.33 |
| External plate | L 259 x H 28 x W 60 mm. |
| Internal plate | L 46 x H 166 (items 107076260 or 107076250 without cylinder hole). |
| Weight | eSIGNO trim packaging: 1.5 kg including external plate, handles and batteries. |
| Materials | External/internal plates in Zamak 3 (ZP3 in compliance with UN EN I2844). Finish on outdoor versions resistant to 240 hours in salt spray. |
| Plastic | PA6 / PA12, plate cover available in black or white. |
| Finishes | Satin silver / Polished silver / Satin bronze / Polished gold / Matt black. |
| Handles | Recommended Modern (RTD) / Slim or Elegance on request. Reversible. |
| Handle angle of rotation | 30° max. |
| Spindle size | 8 mm with 9 mm adapter. |
| Centre distance | 72 mm. |
| Mechanical emergency cylinder | Euro profile single cylinder concealed under front plastic cover. Accessible using tool supplied with the Service Kit. |
| Standard mechanical lock | 1430XX series without FREE EGRESS/emergency exit function or 1431XX series with FREE EGRESS/emergency exit function (the 1431XX series requires a specific spindle set). |
| Door thickness | 35 – 79 mm. |
| Application | Indoor. |
| Life cycle | 200,000 cycles. |
| Norms and regulations | Compatible with products in compliance with EN1634-1 (for fire resistant doors up to 120 minutes), EN179, EN12209. |
| Management system | Via encoder or the web with CISA Aero. Firmware can be updated remotely using Bluetooth Gateway. |

Configuration options: 5 finishes, 3 handle types and 2 cover colours




About Allegion


Allegion (NYSE: ALLE) is a global pioneer in seamless access, with leading brands like CISA®, Interflex®, LCN®, Schlage®, SimonsVoss® and Von Duprin®. Focusing on security around the door and adjacent areas, Allegion secures people and assets with a range of solutions for homes, businesses, schools and institutions.


For more, visit allegion.com.



 CISA SpA
Via Oberdan 42
48018 Faenza (RA) Italy

 Ph. +39 0546 677111
Fax +39 0546 677150

 Customer Service and Technical Support
+39 0546 188 0070

    cisa.com
cisa.sales@allegion.com