



CISA®

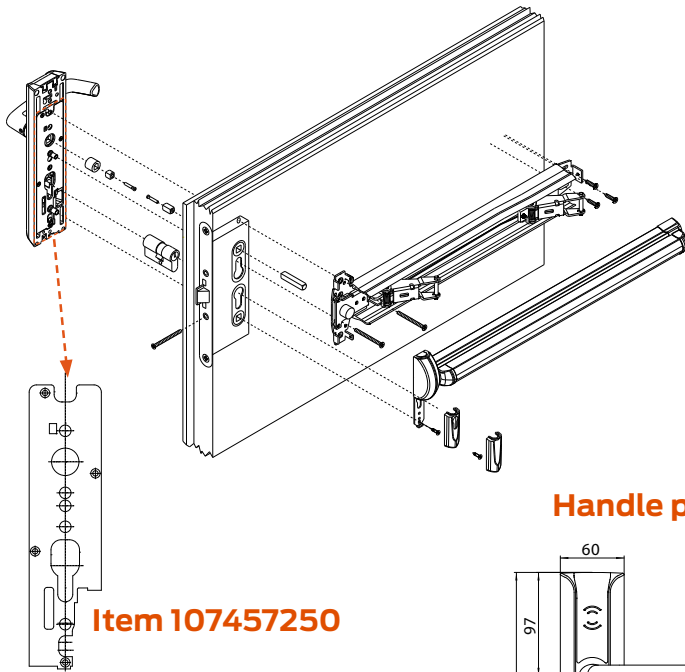
CISA eSIGNO Contactless lock

Installation with panic exit devices

Technical sheet

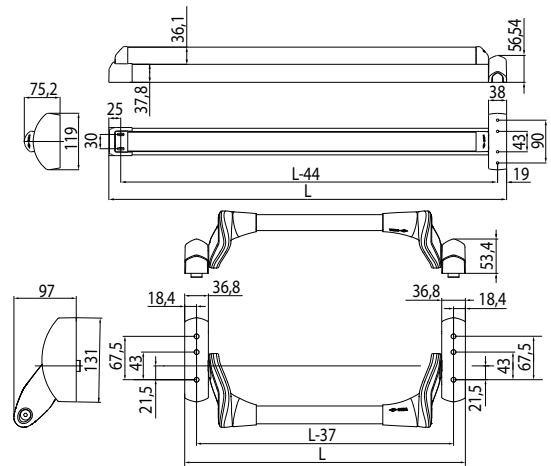


Installation

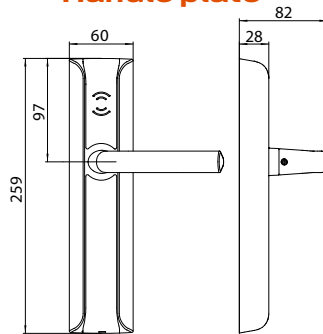


Item 107457250

Panic exit device (items 1596xx, 159711)

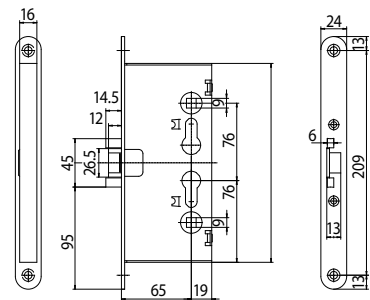


Handle plate



External

e.g. CISA 1431XX lock series



Technical drawings
all measurements are in mm.

Configuration options: 5 finishes, 3 handle types and 2 cover colours



Technical features

Intended use	Standalone battery powered contactless electronic access control for door installation.
Form factor	Reader and battery holder integrated into the external plate. Only 2 screws needed for installation.
Credentials	Contactless RFID ISO 14443B/Mifare ISO 14443A technology. Lock wake-up function activated by card from max. 2 cm.
Operating temperature	From -10°C to 70°C (with specific batteries).
Data encryption	3DES-AES encryption.
Audit trail	Previous 500 events.
Flashing signals	Multicolour LED on external plate for battery level status and service messages.
Battery	3 x 1.5V AAA alkaline.
Durability	30,000 cycles approx. for standalone version (depending on operating conditions).
External plate	L 259 x H 28 x W 60 mm
Weight	eSIGNO trim packaging: 1.5 kg including external plate, handles and batteries. Separate part number for adapter plate and spindle 8 to 9 mm adapter (item 107457250).
Materials	External/internal plates in Zamak 3 (ZP3 in compliance with UN EN I2844). Finish on outdoor versions resistant to 240 hours in salt spray.
Plastic	PA6 / PA12, plate cover available in black or white.
Finishes	Satin silver / Polished silver / Satin bronze / Polished gold / Matt black.
Handles	Slim / Modern Return to Door / Elegance. Reversible. Inside: push bar for metal doors item 159615000 and for wooden doors 159607100, Touch bar 159711.
Spindle size	8 mm with 9 mm adapter.
Centre distance	72 mm.
Mechanical emergency cylinder	Euro profile single cylinder concealed under front plastic cover. Accessible using tool supplied with the Service Kit.
Standard mechanical lock	Metal doors: 1430XX lock series without antipanic function or 1431XX series with antipanic function (series 14311X requires a specific spindle set). Both 1430XX and 1431XX lock series have a 9 mm spindle. Wooden doors: 15A300, 15A310, 152842XX, 152862XX (antipanic function).
Door thickness	40 – 60 mm.
Application	Indoor. Optional IP55 version for outdoors.
Life cycle	200,000 cycles.
Installation	Compatible with electric screwdrivers i.e. high torque.
Norms and regulations	Compatible with products in compliance with EN1634-1 (for fire resistant doors up to 120 minutes), EN179, EN12209, EN1125.
Management system	On-premise encoder (communication with locks through NFC mouse or service cards). CISA Aero cloud system with USB encoder (communication with locks through service cards).

About Allegion


Allegion (NYSE: ALLE) is a global pioneer in seamless access, with leading brands like CISA®, Interflex®, LCN®, Schlage®, SimonsVoss® and Von Duprin®. Focusing on security around the door and adjacent areas, Allegion secures people and assets with a range of solutions for homes, businesses, schools and institutions.





For more, visit allegion.com.

AXA ■ BRICARD ■ Briton ■ CISA ■ interflex ■ KRYPTONITE ■ NORMBAU ■ SimonsVoss technologies ■ TRELOCK

 CISA SpA
Via Oberdan 42
48018 Faenza (RA) Italy

 Customer Service and Technical Support
+39 0546 188 0070

 Ph. +39 0546 677111
Fax +39 0546 677150

    cisa.com
cisa.sales@allegion.com


ALLEGION™