



eSIGNO 2.0

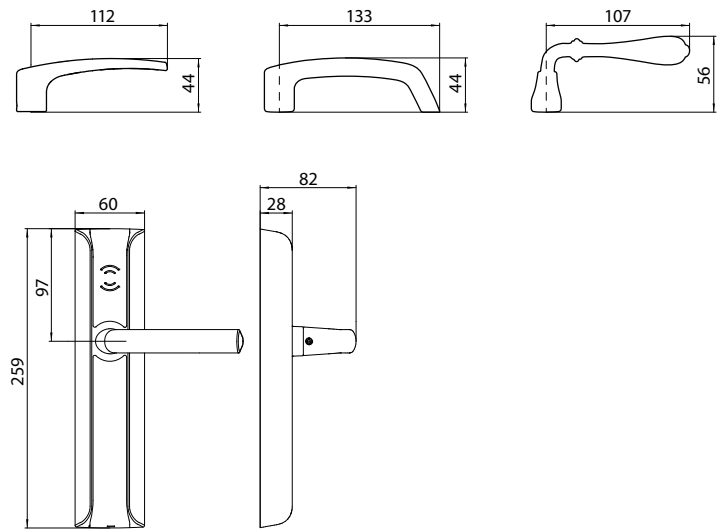
Contactless lock

**Installation with
panic exit devices**

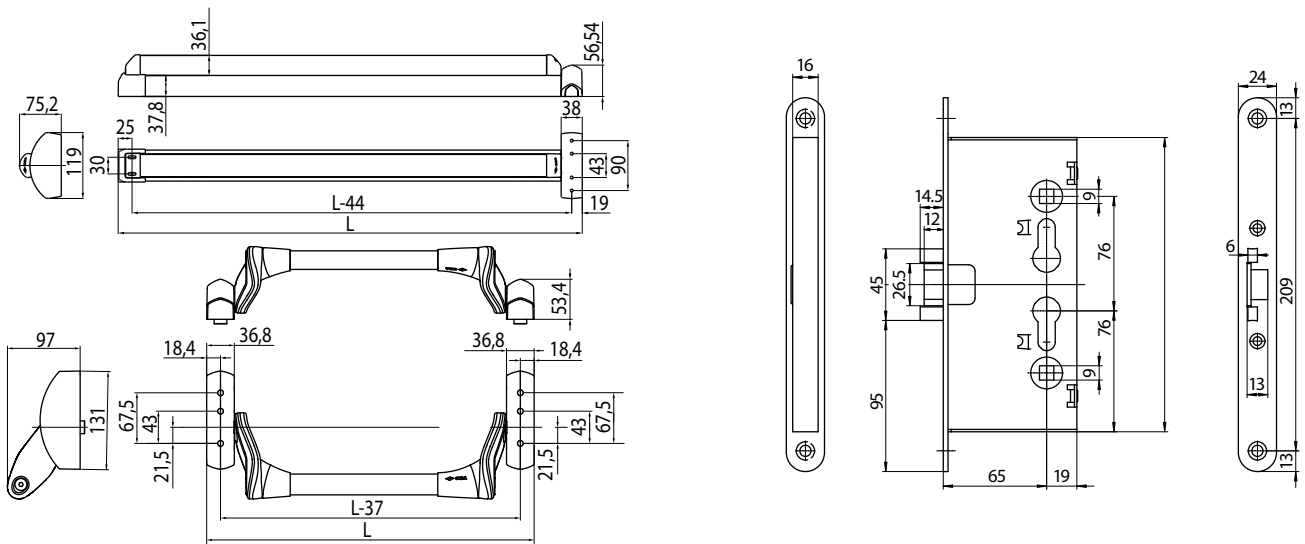
Technical sheet



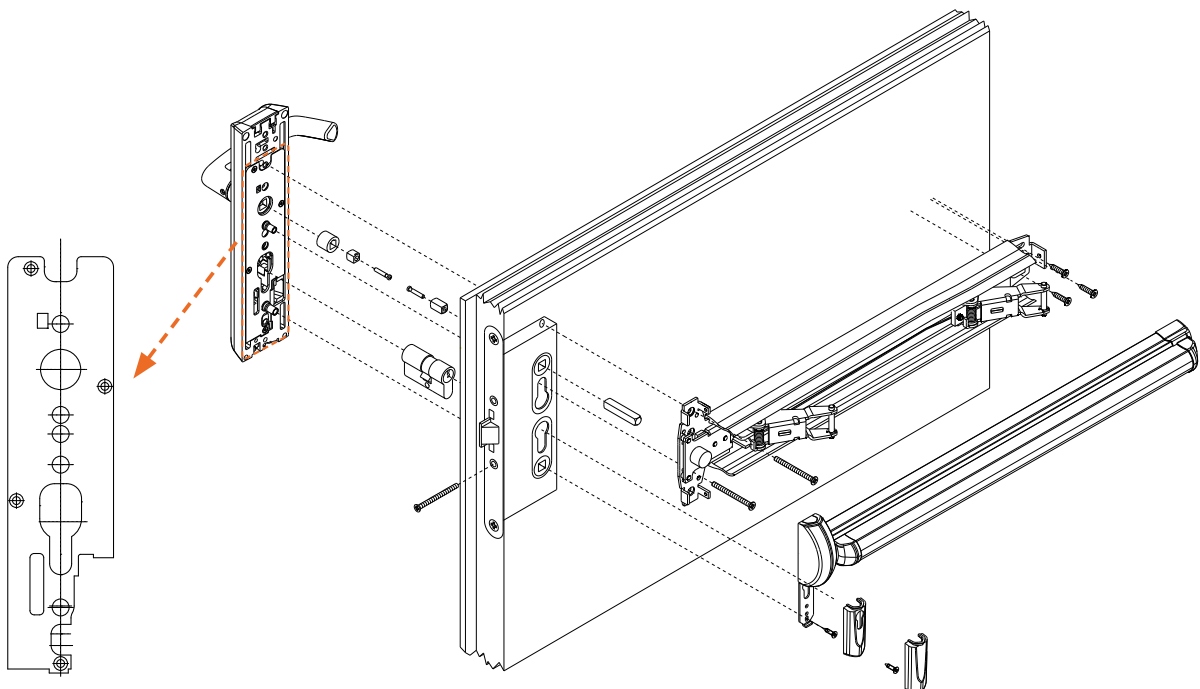
Handle plate



Panic exit device (item 1596xx,159711) - e.g. CISA 1431XX lock series



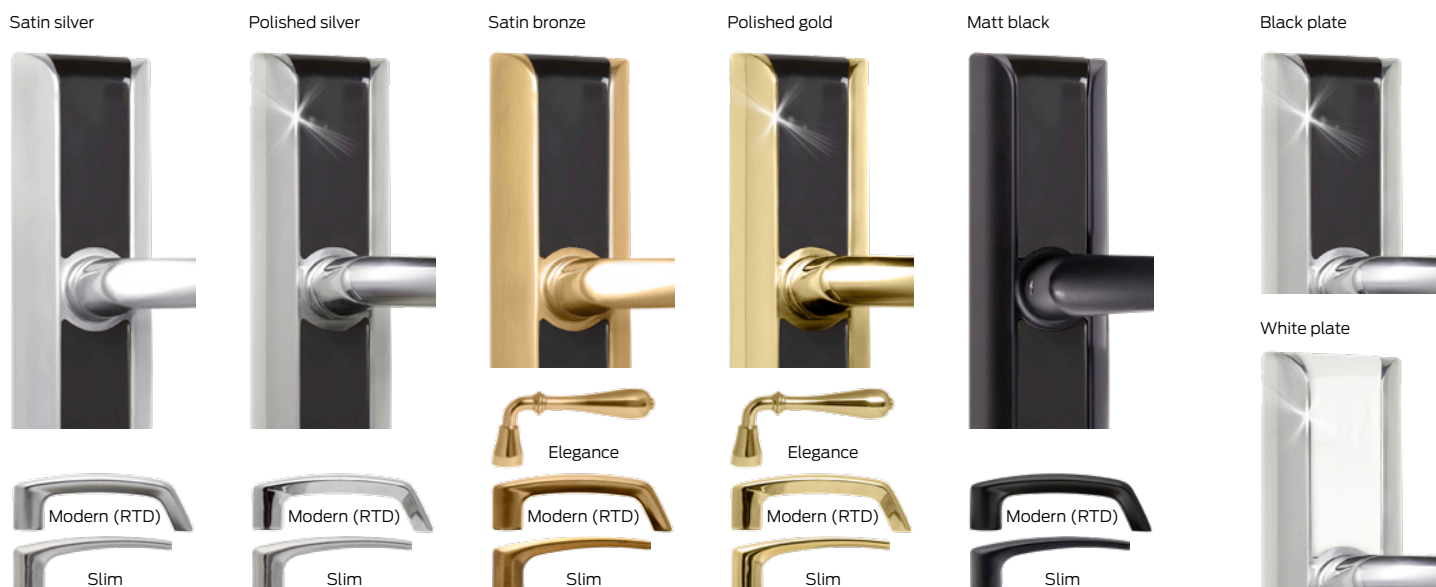
Installation



Technical features

Intended use	Standalone battery powered contactless electronic access control for installation on doors in buildings.
Form factor	Reader and battery holder integrated into the external plate. Only 2 screws needed for installation.
Credentials	Contactless RFID ISO 14443B/Mifare ISO 14443A technology. Lock wake-up function activated by card from max 2 cm. Bluetooth technology to open door using Android and iOS smartphones.
Operating temperature	From -10°C to 70°C (with specific batteries).
Data encryption	3DES-AES encryption. PKI system for mobile credentials.
Audit trail	Previous 500 events.
Wireless	Bluetooth 5 technology.
Flashing signals	Multicolour LED on external plate for battery level status and service messages.
Battery	3 x 1.5V AAA alkaline.
Battery life	Up to 6 years.* * Depending on actual conditions of use. Tested in compliance with BHMA A156.33
External plate	L 259 x H 28 x W 60 mm
Weight	eSIGNO trim packaging: 1.5 kg including external plate, handles and batteries. Separate part number for adapter plate and spindle 8 to 9 mm adapter (item 107457250).
Materials	External/internal plates in Zamak 3 (ZP3 in compliance with UN EN I2844). Finish on outdoor versions resistant to 240 hours in salt spray.
Plastic	PA6 / PA12, plate cover available in black or white.
Finishes	Satin silver / Polished silver / Satin bronze / Polished gold / Matt Black.
Handles	Slim / Modern Return to door / Elegance. Reversible. Inside: push bar for metal doors item 159615000 and for wooden doors 159607100, Touch bar 159711.
Handle angle of rotation	30° max.
Spindle size	8 mm with 9 mm adapter.
Centre distance	72 mm.
Mechanical emergency cylinder	Euro profile single cylinder concealed under front plastic cover. Accessible using tool supplied with the Service Kit.
Standard mechanical lock	Metal doors: 1430XX lock series without antipanic function or 1431XX series with antipanic function (series 14311X requires a specific spindle set). Both 1430XX and 1431XX lock series have a 9 mm spindle. Wooden doors: 15A300, 15A310, 152842XX, 152862XX (antipanic function).
Door thickness	40 – 60 mm.
Application	Indoor.
Life cycle	200,000 cycles.
Norms and regulations	Compatible with products in compliance with EN1634-1 (for fire resistant doors up to 120 minutes), EN179, EN12209, EN1125.
Management system	Via encoder or the web with CISA Aero. Firmware can be updated remotely using Bluetooth Gateway.

Configuration options: 5 finishes, 3 handle types and 2 cover colours




About Allegion

Allegion (NYSE: ALLE) is a global pioneer in seamless access, with leading brands like CISA®, Interflex®, LCN®, Schlage®, SimonsVoss® and Von Duprin®. Focusing on security around the door and adjacent areas, Allegion secures people and assets with a range of solutions for homes, businesses, schools and institutions.





For more, visit allegion.com.



 CISA SpA
Via Oberdan 42
48018 Faenza (RA) Italy

 Ph. +39 0546 677111
Fax +39 0546 677150

 Customer Service and Technical Support
+39 0546 188 0070

    cisa.com
cisa.sales@allegion.com