



CISA®

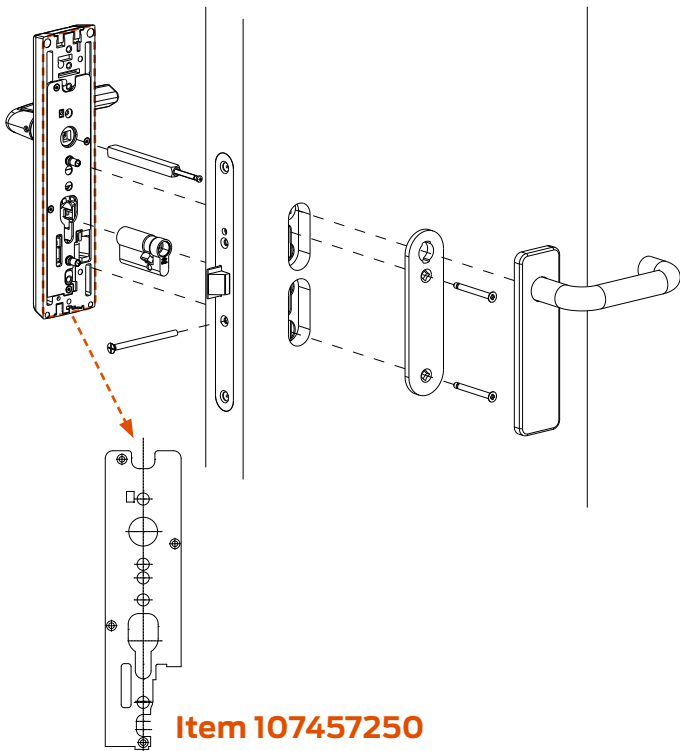
CISA eSIGNO Contactless lock

Version for installation on metal and fire doors

Technical sheet



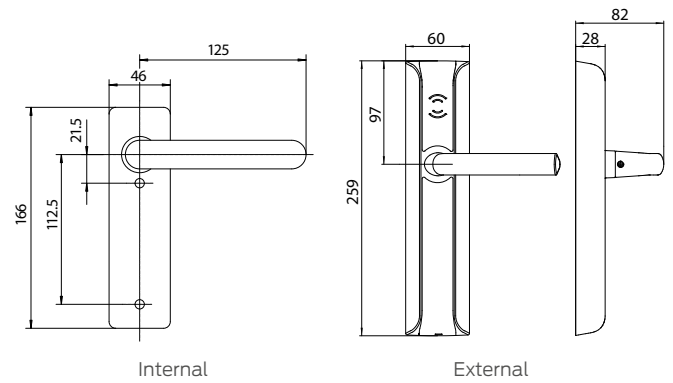
Installation



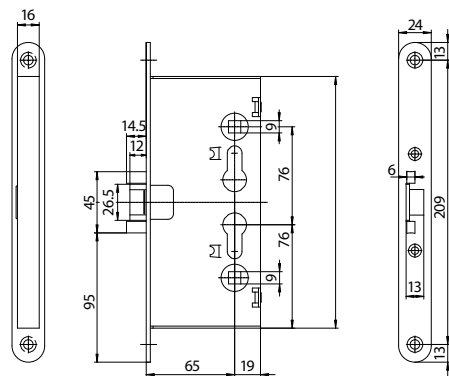
Item 107457250

Technical drawings
all measurements are in mm.

Handle plate



e.g. CISA 1431XX
lock series



Configuration options: 5 finishes, 3 handle types and 2 cover colours



Technical features

Intended use	Standalone battery powered contactless electronic access control for door installation.
Form factor	Reader and battery holder integrated into the external plate. Only 2 screws needed for installation.
Credentials	Contactless RFID ISO 14443B/Mifare ISO 14443A technology. Lock wake-up function activated by card from max. 2 cm.
Operating temperature	From -10°C to 70°C (with specific batteries).
Data encryption	3DES-AES encryption.
Audit trail	Previous 500 events.
Emergency override	Mechanical emergency opening: with internal handle plate item 107076160 in combination with cylinder item 108453xx x xx or thumb turn cylinder item 10G300xx x xx; alternatively with internal handle plate item 107076150 in combination with single cylinder item 10G304xx x xx.
Flashing signals	Multicolour LED on external plate for battery level, privacy status and service messages.
Battery	3 x 1.5V AAA alkaline.
Durability	30,000 cycles approx. for standalone version (depending on operating conditions).
External plate	L 259 x H 28 x W 60 mm.
Internal plate	L 46 x H 166 (items 107076160 or 107076150 without cylinder hole).
Weight	eSIGNO trim packaging: 1.5 kg including external plate, handles and batteries.
Materials	External/internal plates in Zamak 3 (ZP3 in compliance with UN EN I2844). Finish on outdoor versions resistant to 240 hours in salt spray.
Plastic	PA6 / PA12, plate cover available in black or white.
Finishes	Satin silver / Polished silver / Satin bronze / Polished gold / Matt black.
Handles	Recommended Modern (RTD) / Slim / Elegance on request. Reversible.
Spindle size	8 mm with 9 mm adapter.
Centre distance	72 mm.
Mechanical emergency cylinder	Euro profile single cylinder concealed under front plastic cover. Accessible using tool supplied with the Service Kit.
Standard mechanical lock	1430XX series without FREE EGRESS/emergency exit function or 1431XX series with FREE EGRESS/emergency exit function (the 14311X series requires a specific spindle set).
Door thickness	35 – 79 mm.
Application	Indoor. Optional IP55 version for outdoors.
Life cycle	200,000 cycles.
Installation	Compatible with electric screwdrivers i.e. high torque.
Norms and regulations	Compatible with products in compliance with EN1634-1 (for fire resistant doors up to 120 minutes), EN179, EN12209.
Management system	On-premise encoder (communication with locks through NFC mouse or service cards). CISA Aero cloud system with USB encoder (communication with locks through service cards).

About Allegion


Allegion (NYSE: ALLE) is a global pioneer in seamless access, with leading brands like CISA®, Interflex®, LCN®, Schlage®, SimonsVoss® and Von Duprin®. Focusing on security around the door and adjacent areas, Allegion secures people and assets with a range of solutions for homes, businesses, schools and institutions.





For more, visit allegion.com.

AXA ■ BRICARD ■ Briton ■ CISA ■ interflex ■ KRYPTONITE ■ NORMBAU ■ SimonsVoss technologies ■ TRELOCK

 CISA SpA
Via Oberdan 42
48018 Faenza (RA) Italy

 Customer Service and Technical Support
+39 0546 188 0070

 Ph. +39 0546 677111
Fax +39 0546 677150

    cisa.com
cisa.sales@allegion.com


ALLEGION™