



Adjustable cam strikers

FOR ALUMINIUM DOORS



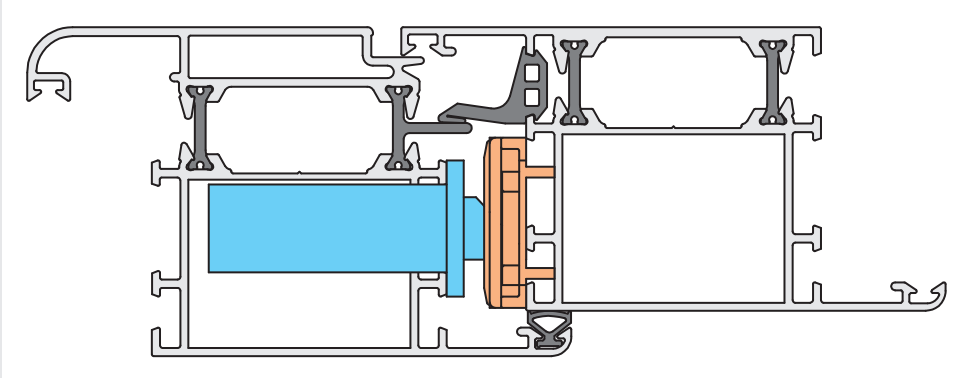
Easier to adjust, more precise, stronger. Minimal maintenance, lower costs for locksmiths.

The CISA range of adjustable strikers for “Door” profiles now includes a new version for “R type” and “European groove” profiles.

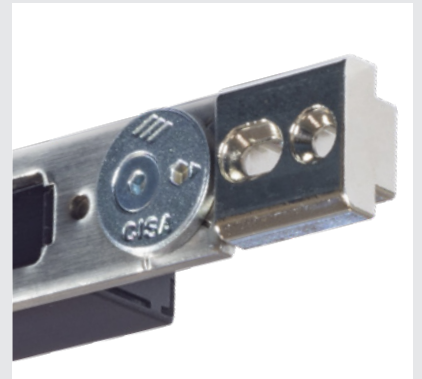
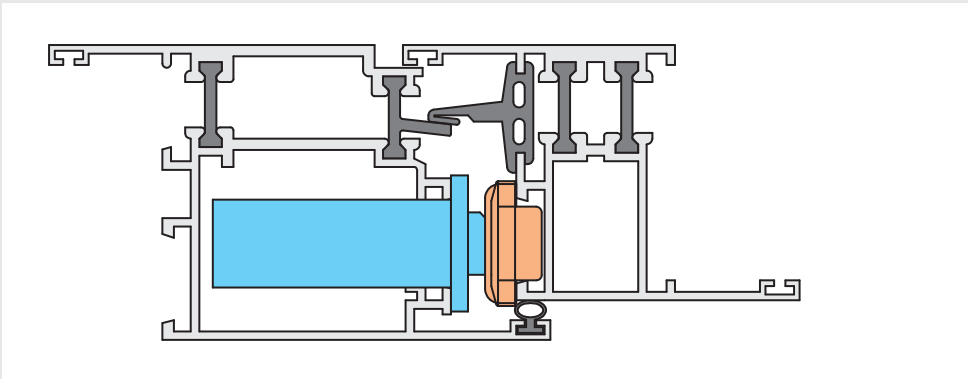
MAIN FEATURES:

- more accurate lateral adjustment, thanks to the cam with graduated scale up to 2.5 mm
- resistant up to 180 kg (tested by CISA)
- 4 times more resistant to breaking, thanks to its steel cover (tested by CISA)
- nylon slide
- available finishes: painted black and stainless steel
- nylon cover to conceal the deadbolt hole on the profile (also added to the “Door” version)

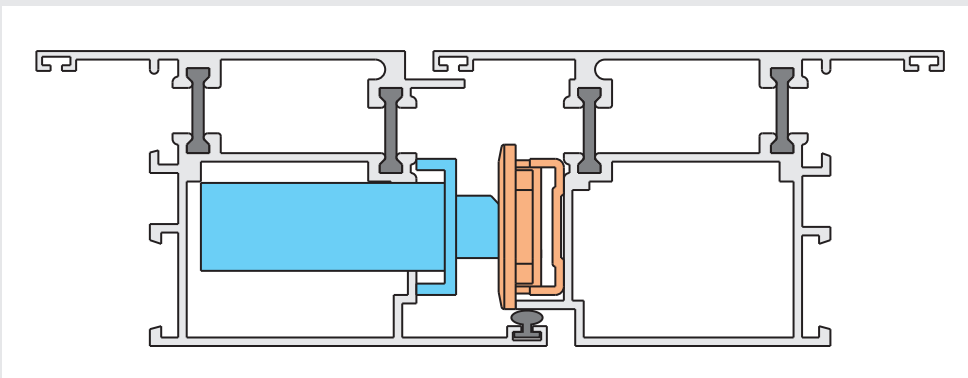
“R TYPE” PROFILE



“EUROPEAN GROOVE” PROFILE



“DOOR” PROFILE



EASY, PRECISE ADJUSTMENT

The adjustment mechanism with cam has no protrusions (CISA patent) and ensures:

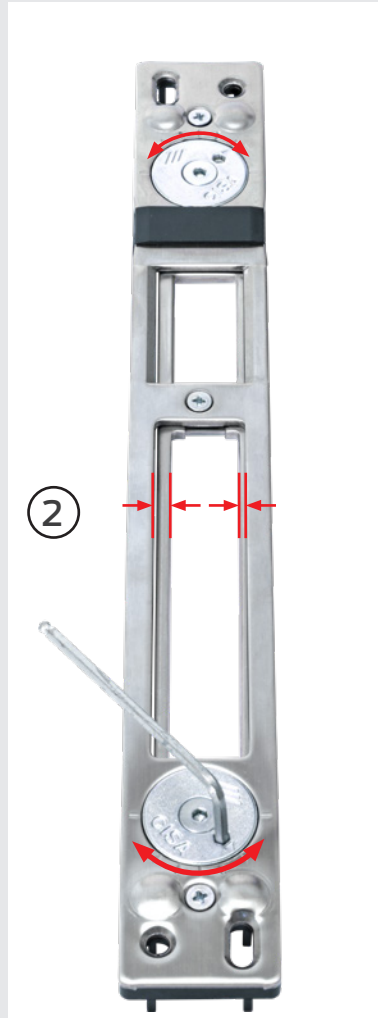
- Highly precise lateral adjustment of 2.5 mm using the graduated scale
- Fewer attempts at adjustment
- Increased striker resistance up to 180 kg.



Loosen off the central hex socket



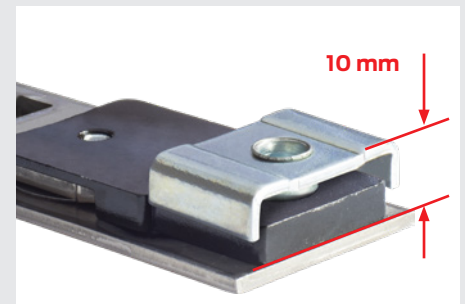
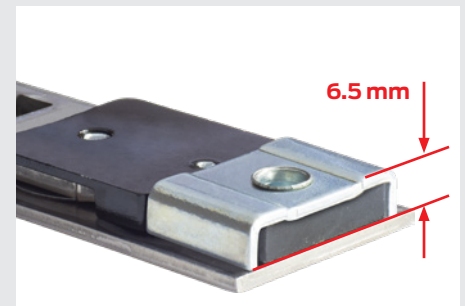
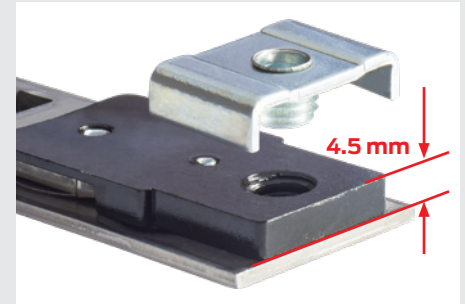
Tighten the central hex socket to fix the position



Adjust as required

ADAPTS PERFECTLY TO "DOOR" PROFILES

- The thickness of the "Door" version can be easily adjusted from 4.5 to 10 mm.



NYLON SLIDE

Eliminates the friction caused by the reloading pin or the automatic sensor, delivering a perfect closing action.



NYLON COVER


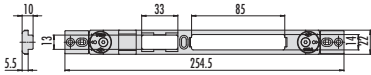
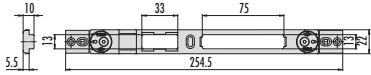
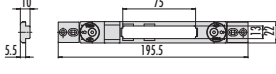
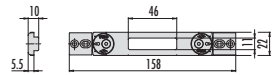
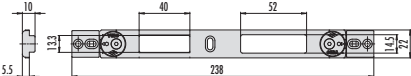
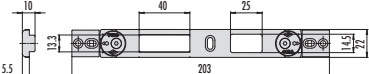
The whole range of strikers comes with a black nylon cover to conceal the deadbolt hole.

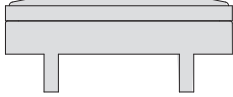
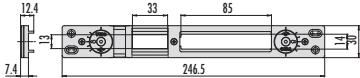
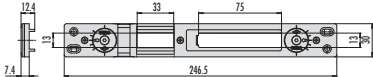
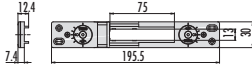


FINISHES AVAILABLE

Available in two finishes

- Stainless steel
- Black painted steel

TYPE	DESCRIPTION	FOR SERIES	ITEM			
			UNIT WEIGHT	PCS	HAND	
	Replaces ITEM 1.06463.22.0 <ul style="list-style-type: none"> Painted black Lateral adjustment 2.5 mm Nylon cover For roller locks use nylon insert ITEM 1.06141.71.0 	16000 46000	0.130	12	1	06463 72 0
	 Replaces ITEM 1.06463.23.0 <ul style="list-style-type: none"> Stainless steel Lateral adjustment 2.5 mm Nylon cover For roller locks use nylon insert ITEM 1.06141.71.0 		0.130	12	1	06463 73 0
	Replaces ITEM 1.06463.32.0 <ul style="list-style-type: none"> Painted black Lateral adjustment 2.5 mm Nylon cover For roller locks use nylon insert ITEM 1.06141.71.0 	19000 49000 43200 43700 43800 4A000 4A010 4A100	0.130	12	1	06463 82 0
	Replaces ITEM 1.06463.33.0 <ul style="list-style-type: none"> Stainless steel Lateral adjustment 2.5 mm Nylon cover For roller locks use nylon insert ITEM 1.06141.71.0 	4A120 4A200 4A210	0.130	12	1	06463 83 0
	Replaces ITEM 1.06465.22.0 <ul style="list-style-type: none"> Painted black Lateral adjustment 2.5 mm Nylon cover For roller locks use nylon insert ITEM 1.06141.71.0 	1.06443.00.21/31 1.06443.00.0.26/36 1.06443.00.0 1.06443.05.0 17300 56300 57300 43200 43700 43800	0.112	12	1	06465 72 0
	Replaces ITEM 1.06465.23.0 <ul style="list-style-type: none"> Stainless steel Lateral adjustment 2.5 mm Nylon cover For roller locks use nylon insert ITEM 1.06141.71.0 	19000 49000 16000 46000 4A000 4A010 4A110 4A120 4A200 4A210	0.112	12	1	06465 73 0
	Replaces ITEM 1.06465.42.0 <ul style="list-style-type: none"> Painted black Lateral adjustment 2.5 mm 	mid-rail locks: deadbolt only or electric latch only	0.112	12	1	06465 52 0
	Replaces ITEM 1.06461.23.0 <ul style="list-style-type: none"> Striker kit for “European groove” profile and supplied as standard: - Striker for central lock (1 pc) Striker for divertors (2 pcs) Stainless steel Lateral adjustment 2.5 mm Nylon cover 	48816 48916	0.310	12	1	06461 43 0
						

TYPE	DESCRIPTION	FOR SERIES	ITEM			
			UNIT WEIGHT	PCS	HAND	
	<p>Replaces ITEMS 1.06463.07.0 and 1.06463.21.0</p> <ul style="list-style-type: none"> Painted black Lateral adjustment 2.5 mm Nylon cover For roller locks use nylon insert ITEM 1.06141.70.0 	16000 46000	0.160	12	1	06463 57 0
	<ul style="list-style-type: none"> Stainless steel Lateral adjustment 2.5 mm Nylon cover For roller locks use nylon insert ITEM 1.06141.70.0 		0.160	12	1	06463 58 0
	<p>Replaces ITEMS 1.06463.17.0 and 1.06463.31.0</p> <ul style="list-style-type: none"> Painted black Lateral adjustment 2.5 mm Nylon cover For roller locks use nylon insert ITEM 1.06141.70.0 	19000 49000 43200 43700 43800 4A000 4A010 4A100 4A120 4A200 4A210	0.160	12	1	06463 67 0
	<p>Replaces ITEM 1.06463.31.0.12</p> <ul style="list-style-type: none"> Stainless steel Lateral adjustment 2.5 mm Nylon cover For roller locks use nylon insert ITEM 1.06141.70.0 		0.160	12	1	06463 68 0
	<p>Replaces ITEMS 1.06465.07.0 and 1.06465.21.0</p> <ul style="list-style-type: none"> Painted black Lateral adjustment 2.5 mm Nylon cover For roller locks use nylon insert ITEM 1.06141.70.0 	1.06443.00.21/31 1.06443.00.0.26/36 1.06443.00.0 1.06443.05.0 17300 56300 57300 43200 43700 43800 19000	0.117	12	1	06465 57 0
	<p>Replaces ITEM 1.06465.21.0.12</p> <ul style="list-style-type: none"> Stainless steel Lateral adjustment 2.5 mm Nylon cover For roller locks use nylon insert ITEM 1.06141.70.0 	49000 16000 46000 4A000 4A010 4A110 4A120 4A200 4A210	0.117	12	1	06465 58 0
						

TYPE	DESCRIPTION	FOR SERIES	ITEM			
			UNIT WEIGHT	PCS	TYPE	DIM.
	<ul style="list-style-type: none"> Replaces ITEM 1.06463.24.0 Painted black Lateral adjustment 2.5 mm Nylon cover For roller locks use nylon insert ITEM 1.06141.70.0 	16000 46000	0.150	12	1	06463 74 0
	<ul style="list-style-type: none"> Replaces ITEM 1.06463.25.0 Stainless steel Lateral adjustment 2.5 mm Nylon cover For roller locks use nylon insert ITEM 1.06141.70.0 		0.150	12	1	06463 75 0
	<ul style="list-style-type: none"> Replaces ITEM 1.06463.34.0 Painted black Lateral adjustment 2.5 mm Nylon cover For roller locks use nylon insert ITEM 1.06141.70.0 	19000 49000 43200 43700 43800 4A000 4A010 4A100 4A120 4A200 4A210	0.158	12	1	06463 84 0
	<ul style="list-style-type: none"> Replaces ITEM 1.06463.35.0 Stainless steel Lateral adjustment 2.5 mm Nylon cover For roller locks use nylon insert ITEM 1.06141.70.0 		0.158	12	1	06463 85 0
	<ul style="list-style-type: none"> Replaces ITEM 1.06465.24.0 Painted black Lateral adjustment 2.5 mm Nylon cover For roller locks use nylon insert ITEM 1.06141.70.0 	1.06443.00.21/31 1.06443.00.0.26/36 1.06443.00.0 1.06443.05.0 17300 56300 57300 43200 43700 43800 43800 19000	0.125	12	1	06465 74 0
	<ul style="list-style-type: none"> Replaces ITEM 1.06465.25.0 Stainless steel Lateral adjustment 2.5 mm Nylon cover For roller locks use nylon insert ITEM 1.06141.70.0 	49000 16000 46000 4A000 4A010 4A110 4A120 4A200 4A210	0.125	12	1	06465 75 0
	<p>Nylon cover for thermal cut aluminium profiles for outward opening doors (lip height from 7.5 to 10 mm)</p>	1.06463.74.0 1.06463.75.0 1.06463.84.0 1.06463.85.0 1.06465.74.0 1.06465.75.0	0.019	25	1	06141 79 0
	<p>Nylon cover for thermal cut aluminium profiles for outward opening doors (lip height from 3 to 7.5 mm)</p>	1.06463.74.0 1.06463.75.0 1.06463.84.0 1.06463.85.0 1.06465.74.0 1.06465.75.0	0.019	25	1	06141 89 0


About Allegion™

Allegion (NYSE: ALLE) is a global pioneer in seamless access, with leading brands like CISA®, Interflex®, LCN®, Schlage®, SimonsVoss® and Von Duprin®. Focusing on security around the door and adjacent areas, Allegion secures people and assets with a range of solutions for homes, businesses, schools and institutions. Allegion had \$2.7 billion in revenue in 2018, and sells products in almost 130 countries.

For more, visit allegion.com.



 CISA SpA
Via Oberdan 42
48018 Faenza (RA) Italy

 Ph. +39 0546 677111
Fax +39 0546 677150

 Customer Service and Technical Support
+39 0546 188 0070



cisa.com
cisa.sales@allegion.com



ALLEGION™