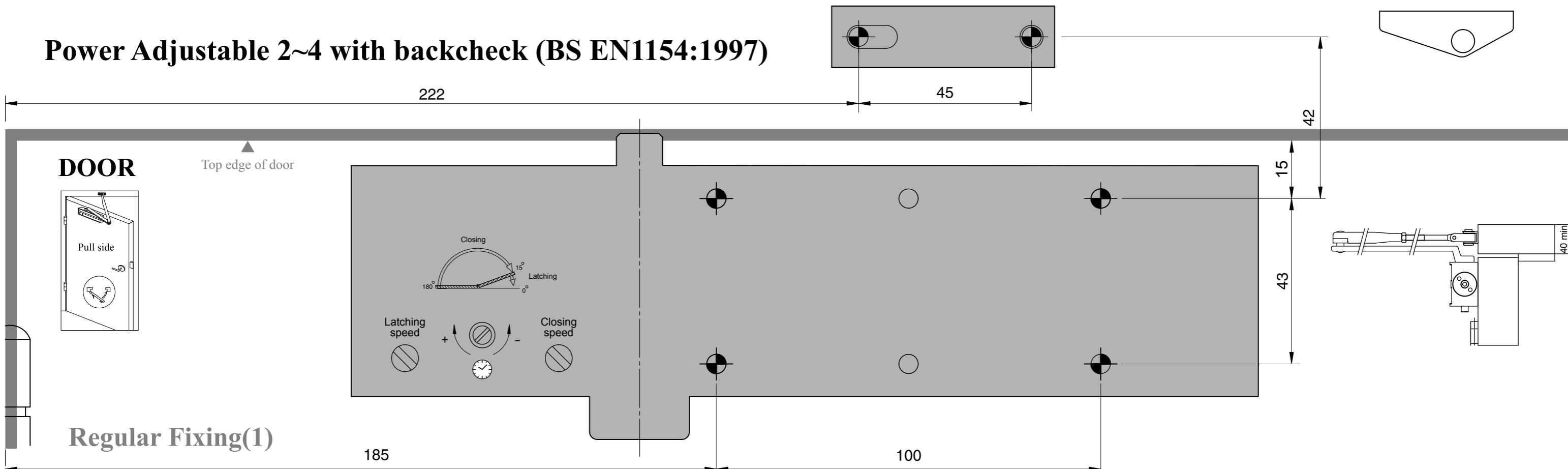


Power Adjustable 2~4 with backcheck (BS EN1154:1997)



Regular Fixing(1)

185

100

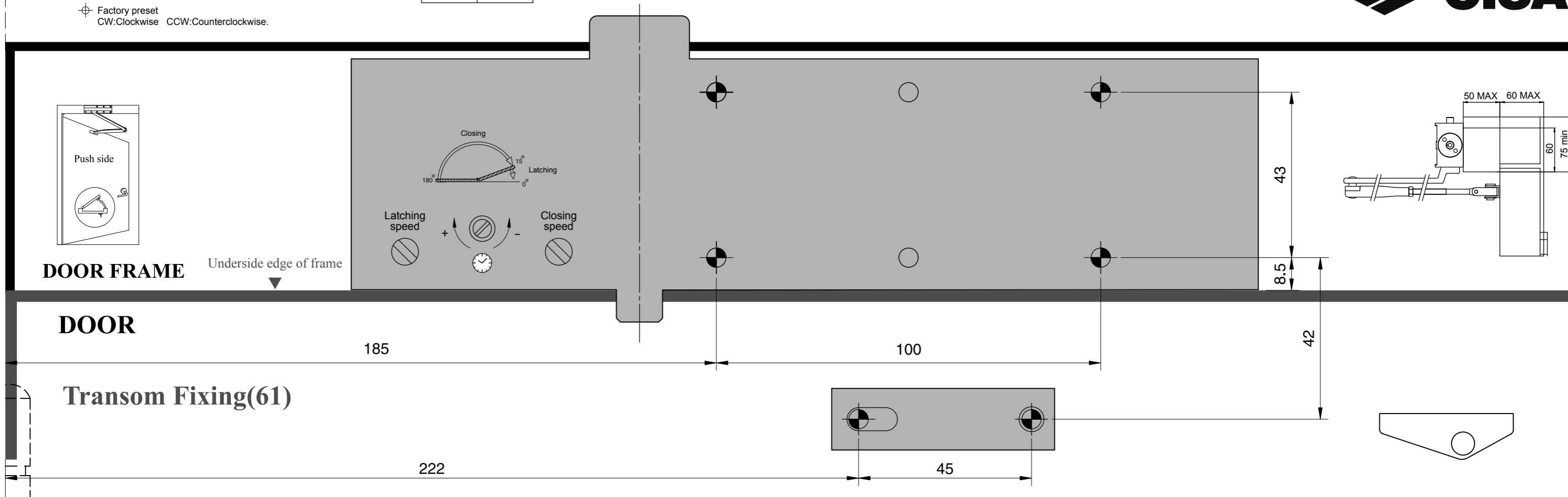
Power size	Max. Door width	Max. Door weight	Max. Door opening	Number of turns
EN2	850mm	40Kg	180°	8CCW
EN3	950mm	60Kg	180°	0
EN4	1100mm	80Kg	180°	7CW

Ø drilling	
Ø2,5	Ø4,2
for wood door	for metal door

⊕ Factory preset
CW:Clockwise CCW:Counterclockwise.



Fold Here



DOOR FRAME

Underside edge of frame

DOOR

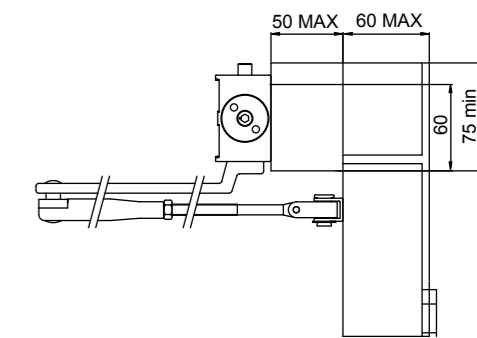
185

100

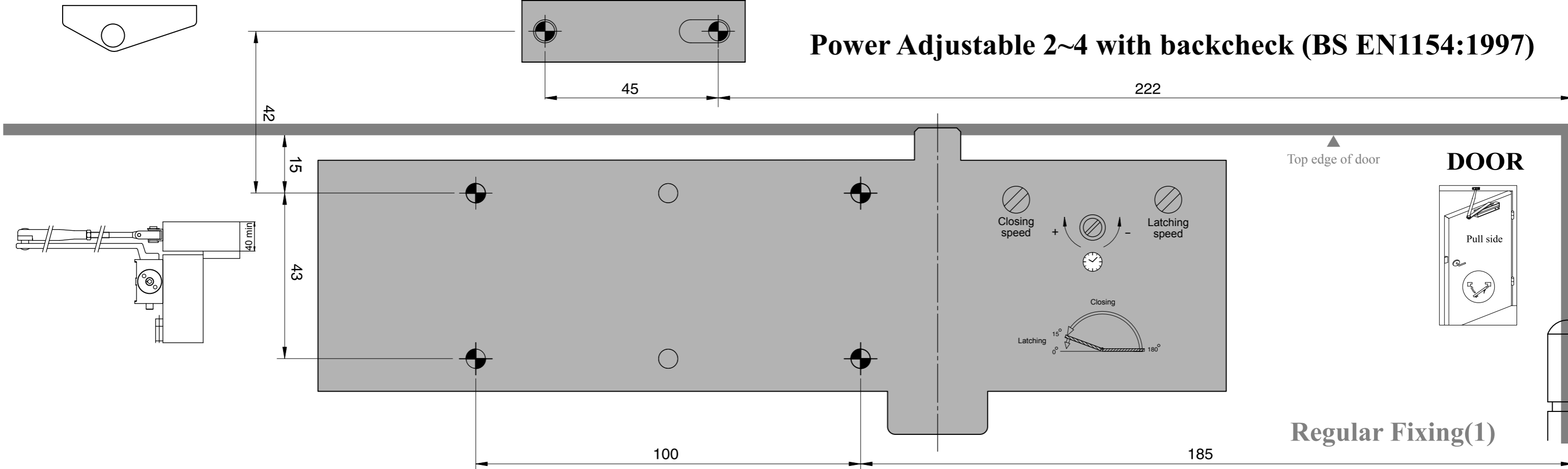
Transom Fixing(61)

222

45



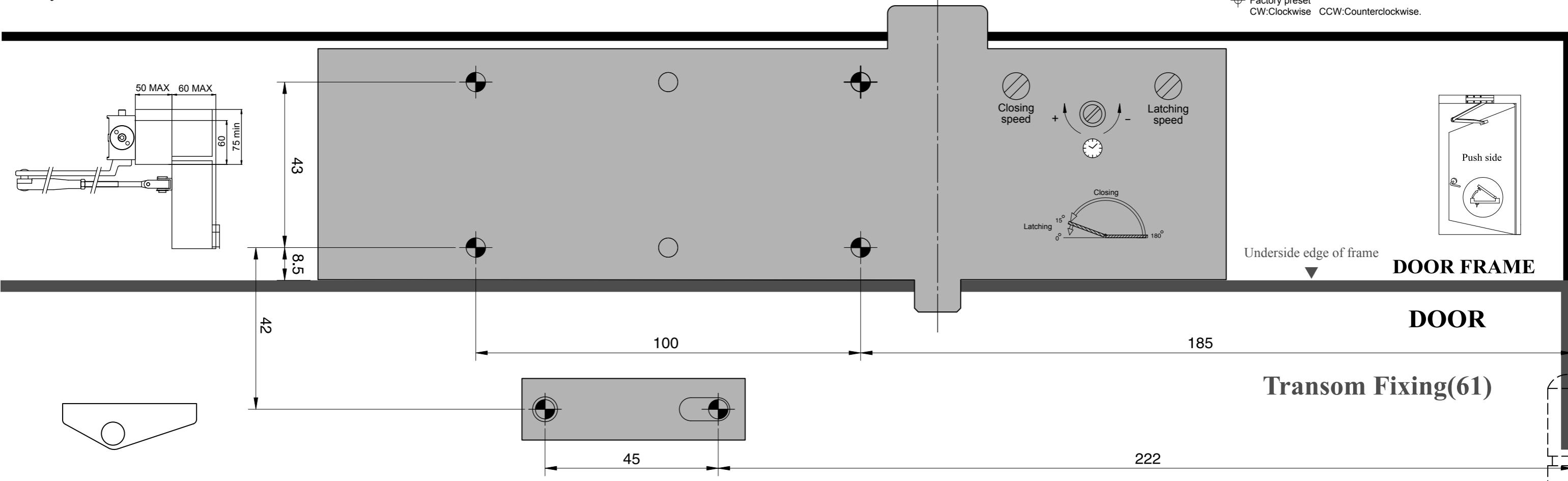
Power Adjustable 2~4 with backcheck (BS EN1154:1997)



Ø drilling	
Ø 2,5	Ø 4,2
	M5x0,8
for wood door	for metal door

Power size	Max. Door width	Max. Door weight	Max. Door opening	Number of turns
EN2	850mm	40Kg	180°	8CCW
EN3	950mm	60Kg	180°	0
EN4	1100mm	80Kg	180°	7CW

⊕ Factory preset
 CW:Clockwise CCW:Counterclockwise.



Fold Here